



DYNASTY® 9300 (CENTRE HUNG HINGED BI-FOLDING DOOR)

Blockout



FREECALL 1800 396 264



DYNASTY® 9300 (CENTRE HUNG HINGED BI-FOLDING DOOR)

The **Dynasty 9300 Series** is versatile and easy to operate. There are no floor tracks, removable mullions, or the need for complicated bulkheads, giving greater flexibility in design and operation, as there's no need for costly motorisation. Suitable for a variety of internal and external situations such as bars, gaming areas, cafés and more, this is one of our most popular doors for wide openings.

SPECIFICATIONS

Supply and install DYNASTY® Model 9300 as manufactured by Dynamic Closures (Aust) Pty. Ltd. (specify).

WORK EXCLUDED

The general contractor shall supply adequate timber or metal supports. Minimum structural capacity to support (145kg per linear metre of door).

CONSTRUCTION

Meeting stiles shall be extruded aluminium members (32mm x 73mm). Sections shall be extruded from aluminium and constructed in accordance with details shown on shop drawings. Should fixed panels be required, they shall be of matching construction. Brush weather seal at floor optional.

PANELS

Available in the following materials:
6.38mm Clear Laminated Glass.
18ga. Perforated (51% visibility) Panels.
Note: maximum height 3000mm.

TRACK

Track shall be heavy-duty extruded aluminium [40mm (h) x 36mm (w) and shall be surface mounted or recessed as required (specify).

HARDWARE

To be Dynamic's heavy duty auto retractable cylinder locks on access panels. All other panels shall be secured with a conveniently located shoot bolt system that will lock into a specially designed dust resistant floor socket.

FINISH

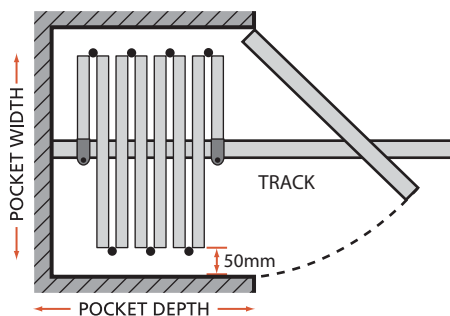
Standard finish is clear anodized.
We also offer standard powder coat finishes.

LAYOUT

STACK WIDTH: Panel size plus 100mm.
STACK DEPTH: 90mm per pair of panels.
The DYNASTY® 9300 series has a half panel on each end of the door.

NB:

- > It is imperative that ceiling and floor are level.
- > Stacks left and/or right off opening.
- > Also available in bi-part stacking half left & half right.
- > No floor track required.



To secure premises, remove the door from pocket. Close the pocket door. The end panel then butts up against the pocket door and locks top and bottom.

For further information, contact your local Dynamic Closures representative or visit www.dynamicclosures.com.au