



DYNASTY 9300 SERIES (CENTRE HUNG HINGED BI-FOLDING DOOR)

Blockout



Melbourne	ph: (03) 9739 5222	fax: (03) 9739 5599
Sydney	ph: (02) 9899 2216	fax: (02) 9899 2246
Brisbane	ph: (07) 3805 8055	fax: (07) 3805 8015
Perth	ph: (08) 9343 8329	fax: (08) 9343 1725
Adelaide	ph: (08) 8326 2266	fax: (08) 8384 3570

FREECALL 1800 651 649

All openings for the Dynasty must be square & level & prepared to manufacturer's tolerances. Specification correct at time of printing. May alter without notice.



DYNASTY 9300 SERIES (CENTRE HUNG HINGED BI-FOLDING DOOR)

Dynamic's **DYNASTY® RANGE** of sliding closures are versatile and easy to operate. There are no floor tracks, removable mullions, or the need for complicated bulkheads. The **DYNASTY® RANGE** of doors give great flexibility in design and can be operated without the need for costly motorisation. Our products suit a variety of internal or external situations such as bars, receptions, gaming areas and cafés and are well suited to wide openings.

SPECIFICATIONS

Supply and install **DYNASTY® Model 9300** as manufactured by Dynamic Closures (Aust) Pty. Ltd. (specify).

WORK EXCLUDED

The general contractor shall supply adequate timber or metal supports. Minimum structural capacity to support (145kg per linear metre of door).

CONSTRUCTION

Meeting stiles shall be extruded aluminium members (32mm x 73mm). Sections shall be extruded from aluminium and constructed in accordance with details shown on shop drawings. Should fixed panels be required, they shall be of matching construction. Brush weather seal at floor optional.

PANELS

Available in the following materials:

6.38mm Clear Laminated Glass.

18ga. Perforated (51% visibility) Panels.

Note: maximum height 3000mm.

TRACK

Track shall be heavy-duty extruded aluminium [40mm (h) x 36mm (w) and shall be surface mounted or recessed as required (specify).

HARDWARE

To be Dynamic's heavy duty auto retractable cylinder locks on access panels. All other panels shall be secured with a conveniently located shoot bolt system that will lock into a specially designed dust resistant floor socket.

FINISH

Standard finish is clear anodized.

We also offer standard powder coat finishes.

LAYOUT

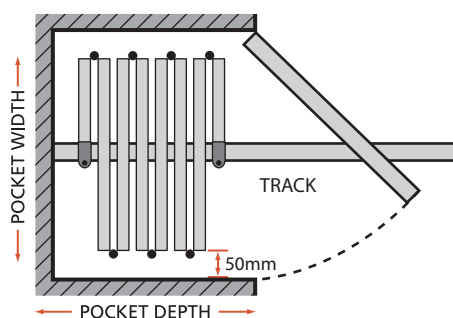
STACK WIDTH: Panel size plus 100mm.

STACK DEPTH: 90mm per pair of panels.

The **DYNASTY® 9300** series has a half panel on each end of the door.

NB:

- > It is imperative that ceiling and floor are level.
- > Stacks left and/or right off opening.
- > Also available in bi-part stacking half left & half right.
- > No floor track required.



To secure premises, remove the door from pocket. Close the pocket door. The end panel then butts up against the pocket door and locks top and bottom.

For further information, contact your local Dynamic Closures representative or visit www.dynamicclosures.com.au

AUSTRALIAN MADE www.dynamicclosures.com.au