

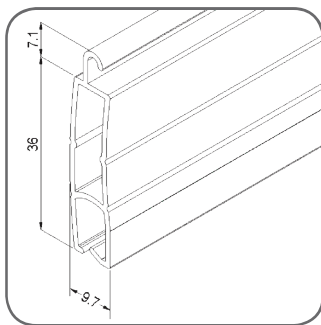


Dynamic Closures (Aust) Pty Ltd.

Made To Measure Roller Shutters

36mm Extruded Roller Shutter

(High Security Commercial)



* 36mm Extruded Double Line Grooved Profile Also Available With Perforations.

Technical Specifications

Maximum Shutter Width	5800mm (with Winged Slat Locks)
Maximum Shutter Height	3000mm
Maximum Surface Area	12m ²
Curtain Weight/Metre ²	7.5kg
Number Of Slats/Metre	28
Profile Slat Covering	36mm
Profile Slat Thickness	9.7mm
Axle Types	Octagonal Steel
Bottom Bar Dimensions	55mm x 8.5mm
Guide Dimensions	68mm x 25mm/14mm (Heavy Duty Guide)
Paint Finish	High Quality Powder Coat Finish

This roller shutter range is made with a precision extruded roller shutter profile, and is suitable for many commercial and industrial grade applications.

Suitable Applications

- Commercial Windows.
- Commercial Shop Fronts & Doorways.
- Garage Doors.
- High Security for Factories, Warehouses, Clubs, Pubs & Hotels, Restaurants, Pharmacies, Sports Complexes, Arcades, Shopping Mall Entrances, Mining & High Security Areas.

Features

- High quality, strong aluminium alloy construction.
- Commercial grade double wall extruded profile for heavy duty strength.
- High quality powder coated finish for maximum abrasion resistance.
- Double line grooved and slight curved face profile.
- Roll-tight design.
- Range of colours.
- Heavy duty steel axle with high quality internal sealed bearings.
- Suitable for widespan widths up to 5800mm.
- Can be manually operated or motorised.
- Made in Australia.

* It is recommended that the use of Photo Safety Cells and a Safety Brake when installing automated roller shutters over openings and doorways. Especially when the roller shutter is not in full view of the operator (eg. when using a remote control or wall switch positioned away from the roller shutter and out of view). When using a wall switch, we recommend a spring return switch/deadman switch.



Dynamic Closures (Aust) Pty Ltd.

Made To Measure Roller Shutters

Pelmet Sizes & Maximum Shutter Height

Standard Slat Locks

Pelmet Box Size	Max. No. Of Slats	Max. Shutter Height (Including Pelmet)	Axle Size
180mm	50	1800mm	60mm
205mm	56	2020mm	70mm
230mm	72	2600mm	70mm
250mm	90	3250mm*	70mm
250mm	85	3050mm*	101mm with adaptor
250mm	72	2590mm	130mm with adaptor

* Measurement exceeds recommended maximum shutter height. May be allowed if other technical specifications are met. Check with your local Dynamic Closures representative.

Winged Slat Locks

180mm	38	1350mm	60mm
205mm	46	1650mm	70mm
230mm	62	2300mm	70mm
250mm	72	2600mm	70mm
250mm	78	2800mm	101mm with adaptor
250mm	65	2350mm	130mm with adaptor

Roller Shutter Colour Options

Profiles	Pelmets/Side Frames/Guides/Bottom Bars
Cream	Cream
Magnolia Cream	Magnolia Cream
Clear Beige	Clear Beige
White	White
Grey	Grey
Black	Black
Anodised Silver	Woodland Grey
Woodland Grey	Powder coated options available (additional charges apply)

Control Options

Manual Options



Steel Cable Winder (Up To 50Kg)



Spring Loaded With Key Lock



Remote Control With SolarSmart™ Plus Automation 12V Motor (Up To 50Kg)

Motorised Options



PowerSmart™ Control System With 12V Motor (Up To 50Kg)*



Wall Switch With 240V Electric Motor



Remote Control With 240V Electric SIMU Hz Motor

Motorised Options (continued)



Key Switch With 240V Electric Motor



Crank Handle With 240V Electric Manual Override Motor



Remote Control (Key Ring Transmitter) With 240V Electric Motor & Multi-Function SIMU RSA Hz Radio Receiver & Control Unit